

CZ15 connector with 38 contacts

August 2005

HIPO Systems GmbH

Köttinger Weg 102a

57537 Wissen

Tel: 01805-447646

Fax: 01805-447632

Email: contact@hipo-systems.com

CZ 15 connector with 38 contacts

Item: Rectangular Connector with 38 contacts

- **Type: Receptacle:** CZ15Z38BJ, **Plug:** CZ15T38WJ, CZ15T38WJ-01

- **Approvals**

UL: UL 1977 File E203642

CUL: 22.2 No.182.3-M1987

VDE: IEC/EN 61984.2001:

RoHS: EU Directive 2002/95/EC- Compliant

- **Technical parameters:**

- **Electric characteristics:**

▲ Contact resistance: AWG 16 contacts $\leq 0.7\text{m}\Omega$ [and AWG 20 contacts](#) $\leq 4\text{m}\Omega$

▲Current rating:

AWG16 contacts numbers 36,37,38 40A, numbers 1-20 28A
and AWG 20 contacts 5 A

▲Working voltage

Contacts 36, 37 and 38	1000V r.m.s
Contacts 1-20	500V r.m.s
Contacts 21-35	333V r.m.s

▲Proof Voltage

Contacts 36,37 and 38	3000V r.m.s
Contacts 1-20	1500V r.m.s
Contacts 21-35	1000V r.m.s

▲Insulation resistance

$\geq 5000\text{M}\Omega$ (ambient temperature),

■Mechanical characteristics

▲Insertion and extraction force of the contacts

AWG 16 contacts 0.8 to 2.0N AWG 20 contacts 0.4 to 1.0N

▲Insertion and extraction force of the products.No larger than twice that of the extraction force of a single pin.

▲Service life:500 cycles

■Environmental characteristics

▲Humidity 95% at 40 C

▲Operating temperature-55 C to +125 C

■Material and surface treatment

▲Insulator material and processing

Material: PET T102 G30(BK) (TH3013);black UL94V-0

Safety specification certificate: UL E107536

▲Contact material,processing and surface treatment

Material: High content copper alloy

Processing: Machine processing

Contact plating: Gold over Nickel

:

■Other information

■ Packaging and storage

The connectors are supplied packed in paper boxes with the packing list (approved certificate).The product code,specification,quantity, the name of the inspector, date of manufacture, name of the company and order number are all marked on the packing list and on the outside of the carton. Each carton contains product from the same batch only with the relevant shipping marks, as specified GB191, on the surface.

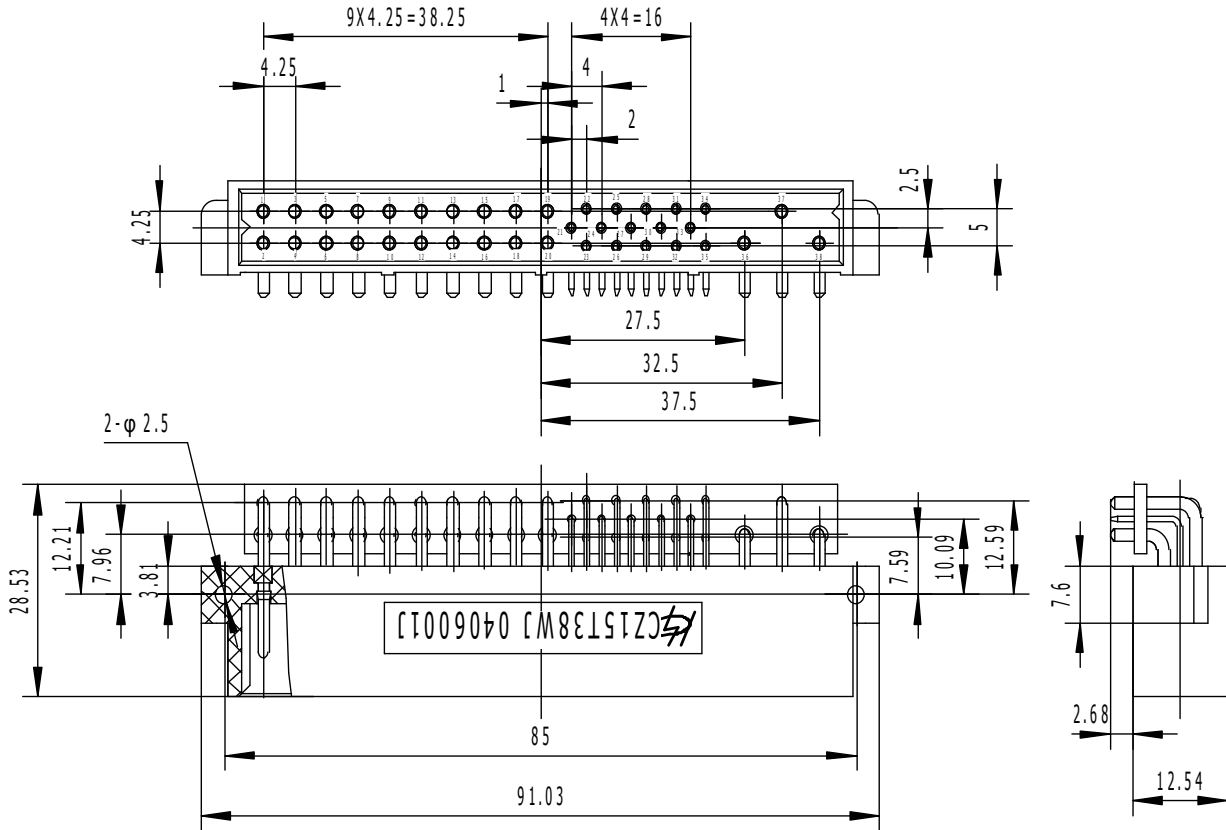
The products should be stored in a place with an environmental temperature of +5C to +35 C and a relative humidity of below 80%, and without contact with acid gas, alkaline gas and other corrosive

HIPO Systems GmbH

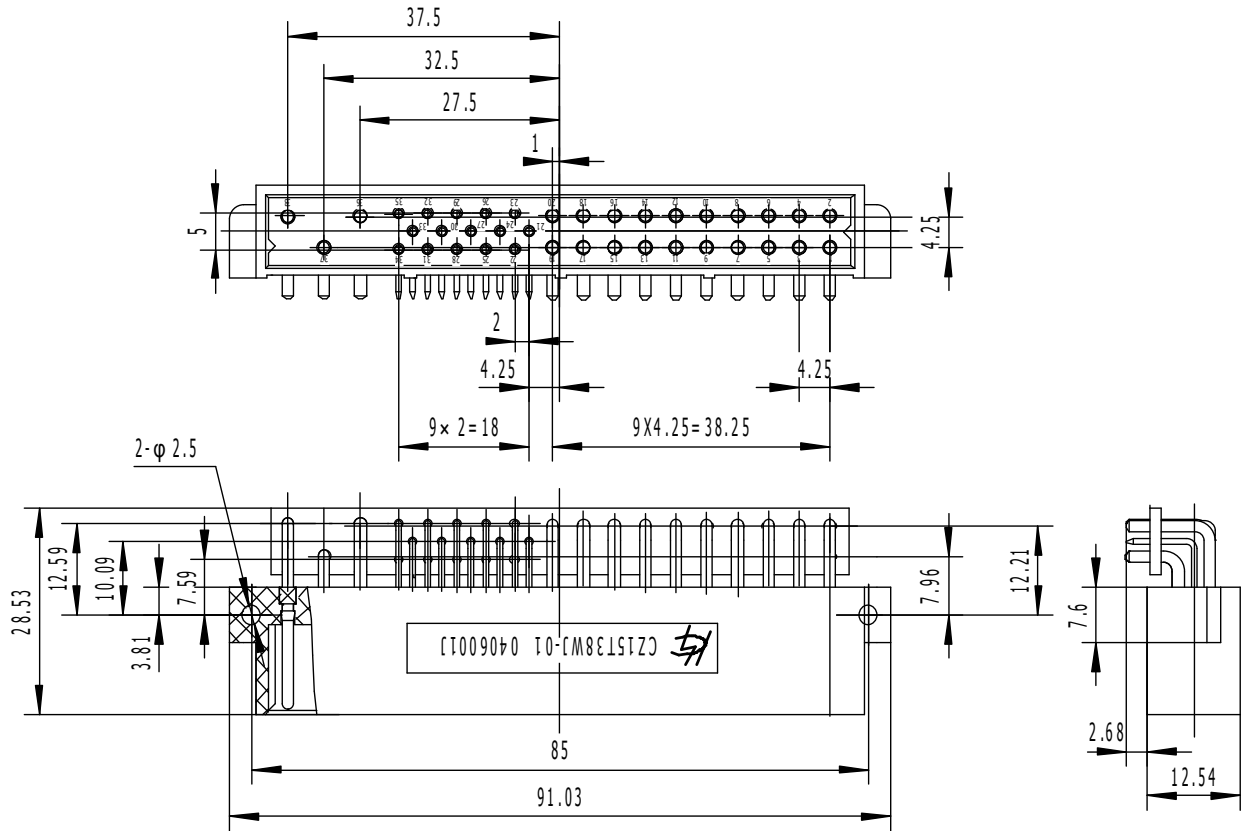
gases .The storage period should no longer than five years from the date of manufacture.

■ Drawings

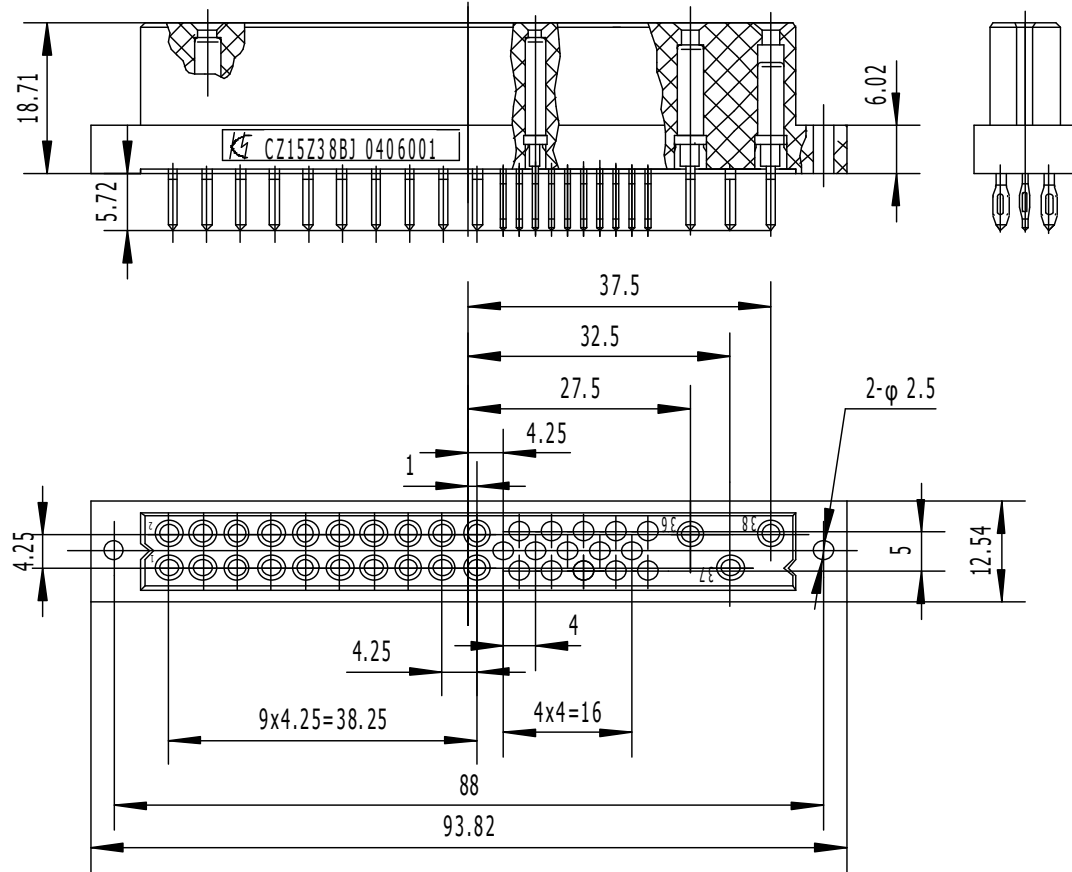
Plug CZ15T38WJ



Plug CZ15T38WJ-01

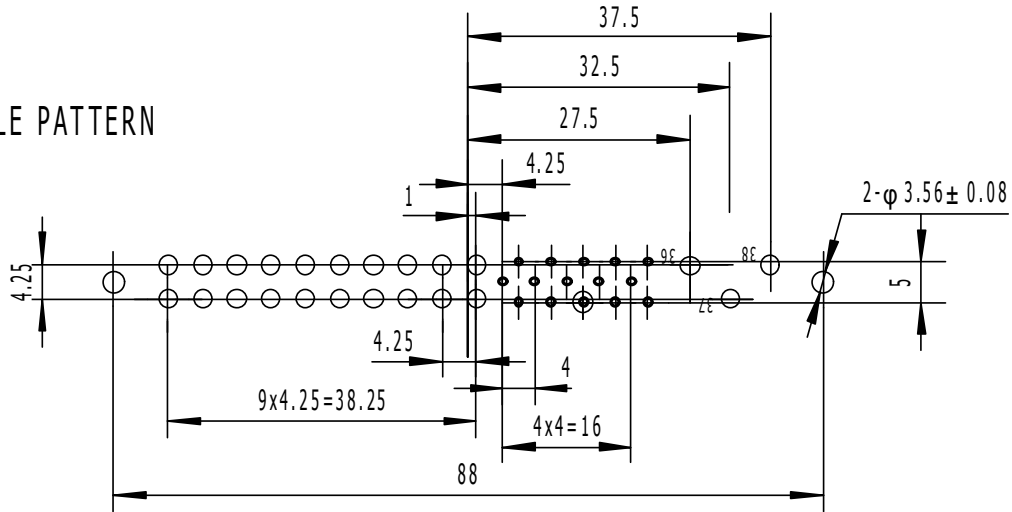


Receptacle CZ15Z38BJ

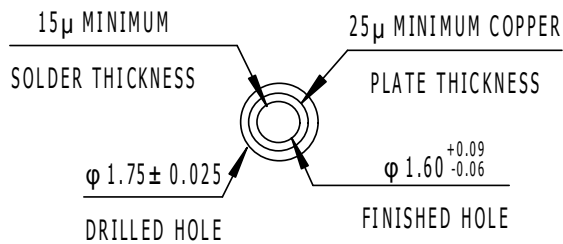


Recommended hole dimensions on PCB

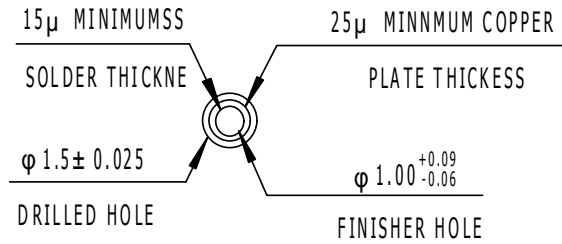
CONTACT HOLE PATTERN



- NOTE : 1. SUGGEST 2.29 ~ 4.45 FOR BOARD THICKNESS.
 2. SUGGEST $\varnothing 3.56 \pm 0.08$ HOLES FOR CONNECTOR MOUNTING POSITIONS.



SIZE 16 PRESS-FIT CONTACT HOLE



SIZE 20 AND 22 PRESS-FIT CONTACT HOLE