



**HIPO**  
Systems GmbH

07/2010

**DL4T plug  
and  
DL4Z receptacle  
Data sheet**



**This power connector designed for high current  
power distribution in pluggable power supply  
applications of up to 2000W or more.**

**Features:**

- #Currents up to 150A, 200A on a busbar**
- #Termination types: crimp and internal thread**
- #Low insertion force**
- #Guide pin option**

**Applications:**

- #Low noise supplies**
- #Switch-mode power supplies**
- #System requires mounting**
- #Hot pluggable power supplies**

## ■ Electrical performance

- ▲ Contact Resistance  $\leq 0.4\text{m}\Omega$
- ▲ Rated current: 150A / 200A
- ▲ Voltage rating: 1500VAC
- ▲ Insulation Resistance:  $\geq 500\text{M}\Omega$ ;  $\geq 20\text{M}\Omega$

## ■ Mechanical performance

- ▲ Mating cycles: 500(cycles)

## ■ Material and surface treatment

- ▲ Contact : Copper Alloy
- ▲ Surface: Silver Plating 5 ~ 8 $\mu\text{m}$  or Gold Plating 0.3 ~ 0.6 $\mu\text{m}$
- ▲ Housing: UL 94 V-0 glass-filled PET ( T102G30 )  
Color: black

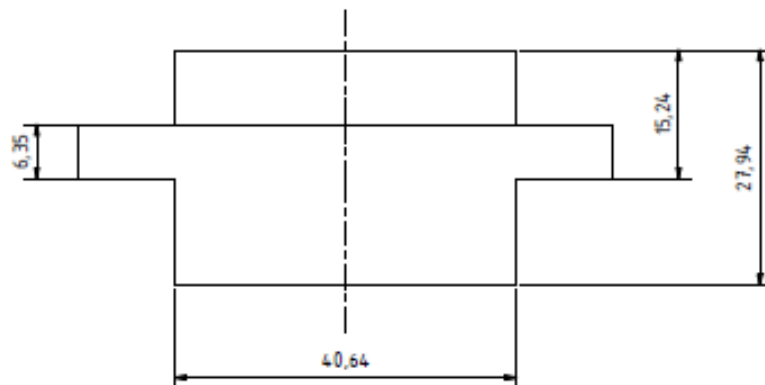
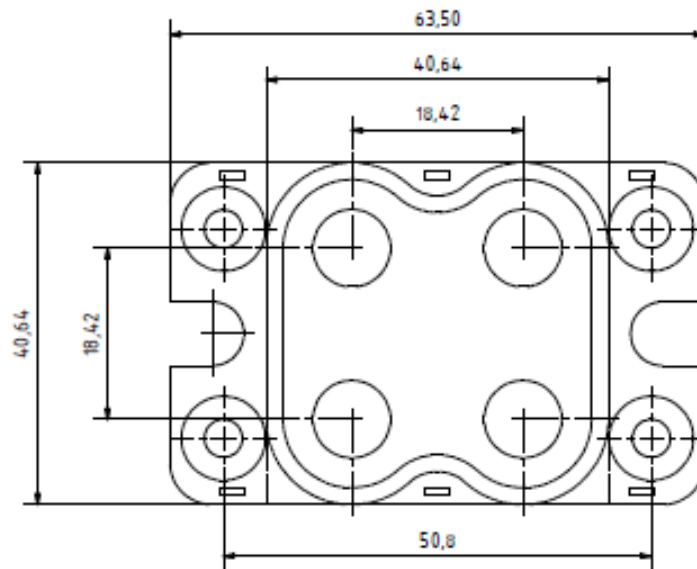
## ■ Operation environment

- ▲ Temperature Range :  $-55^{\circ}\sim +125^{\circ}$
- ▲ Humidity 40% , 95%
- ▲ Vibration :  $98\text{m/s}^2$  10 ~ 2000Hz
- ▲ Acceleration :  $98\text{ m/s}^2$

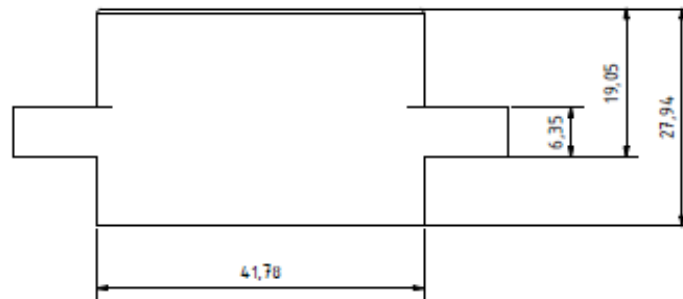
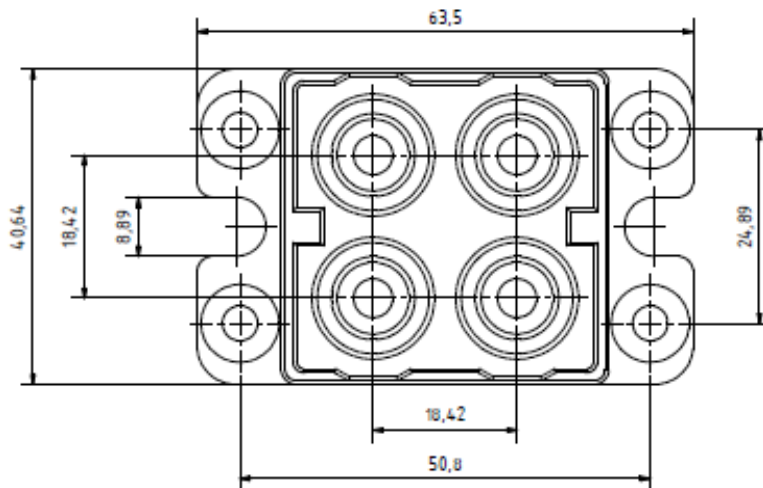
## ■ Terminations

- ▲ Crimp, internal-thread

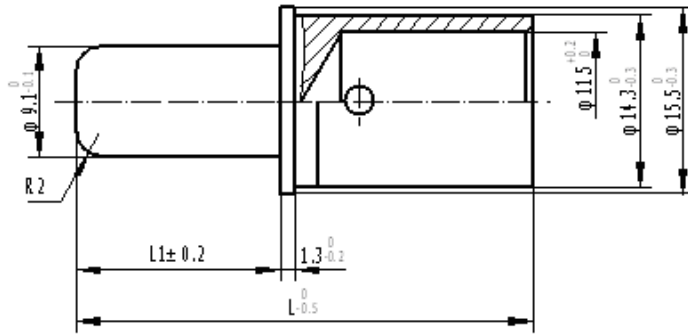
## Dimensions DL4T plug



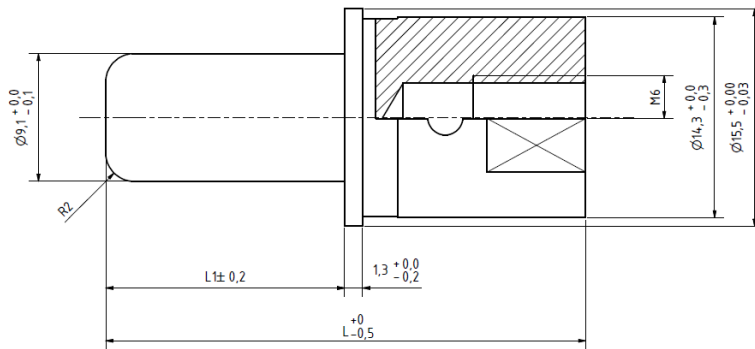
# Dimensions DL4Z receptacle



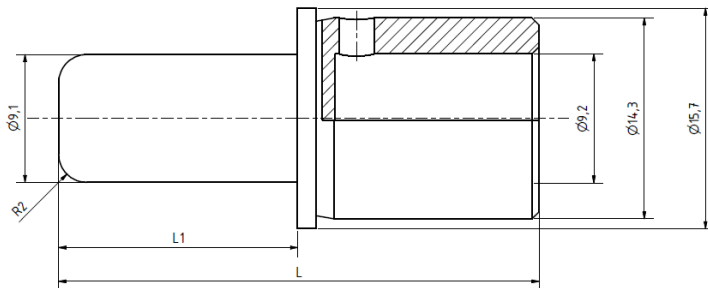
# PIN Contacts



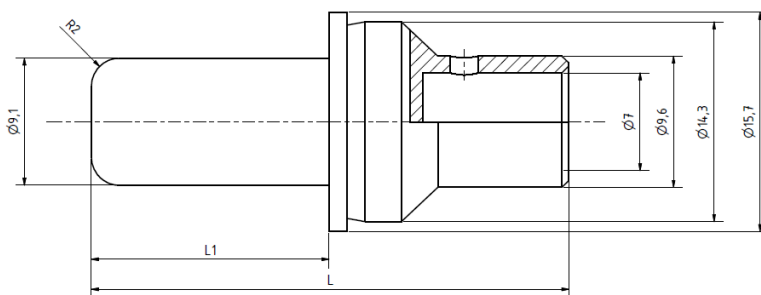
	L1	L
OZYAgL	17	34.2
OZYAgS	15.4	32.6



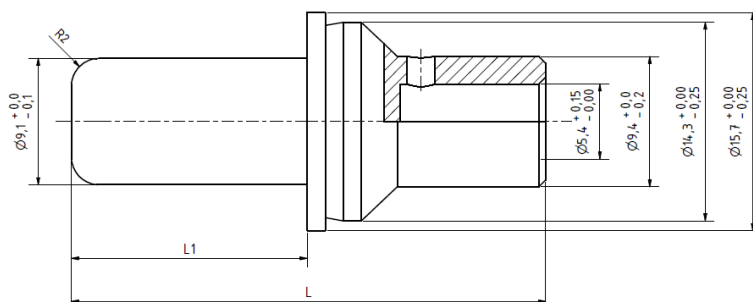
	L1	L
OZLAgL	17	34.2
OZLAgS	15.4	32.6



	L	L1
OZYAuL-01	34.2	17
OZYAuS-01	32.6	15.4
OZYAgL-01	34.2	17
OZYAgS-01	32.6	15.4

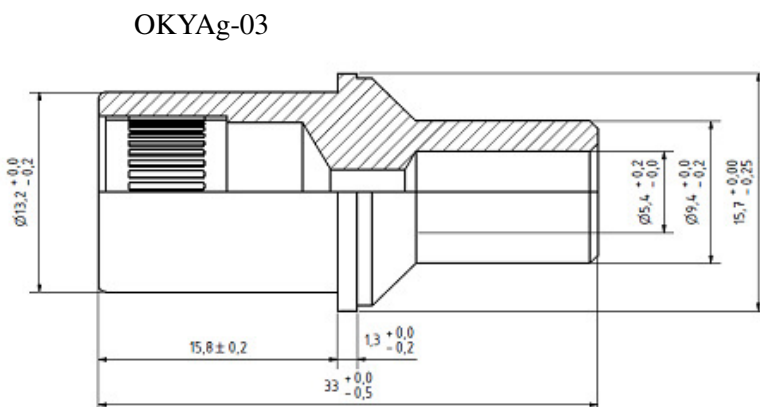
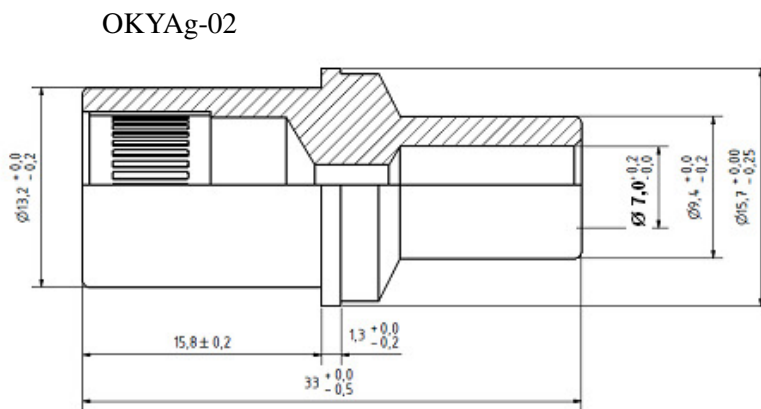
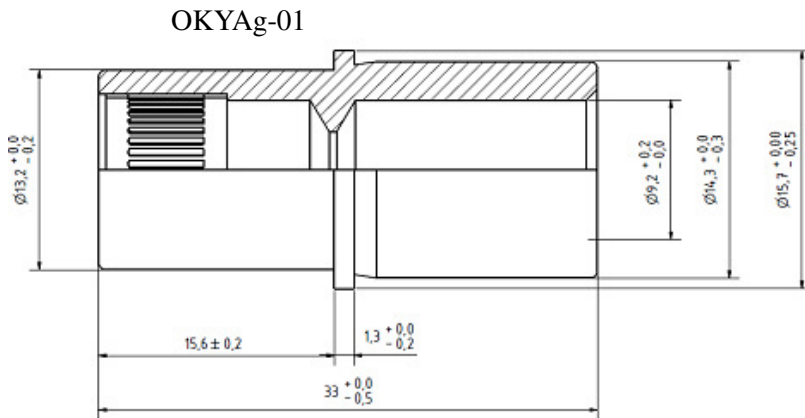
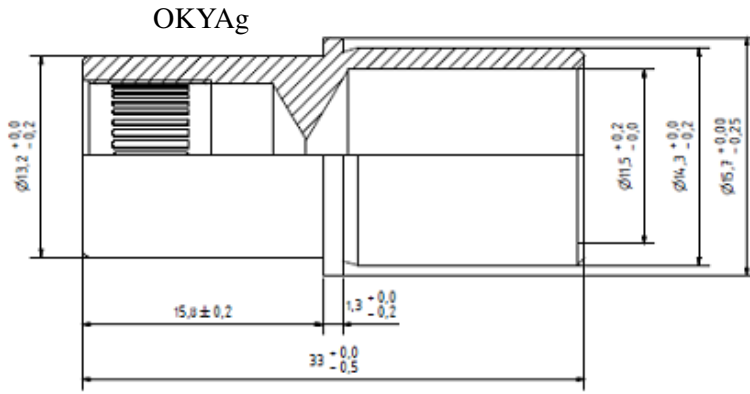


	L	L1
OZYAuL-02	34.2	17
OZYAuS-02	32.6	15.4
OZYAgL-02	34.2	17
OZYAgS-02	32.6	15.4

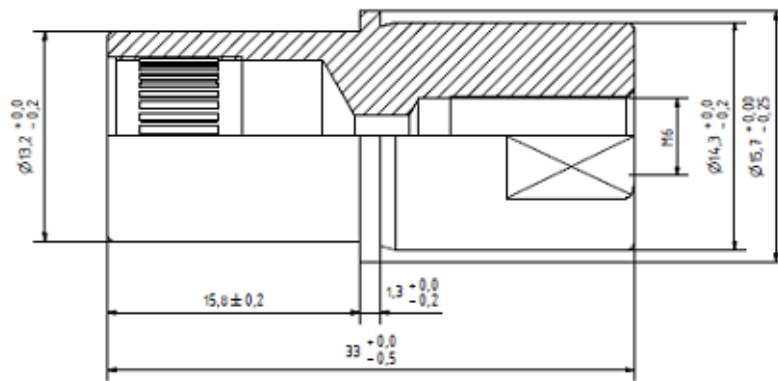


	L	L1
OZYAuL-03	34.2	17
OZYAuS-03	32.6	15.4
OZYAgL-03	34.2	17
OZYAgS-03	32.6	15.4

# Socket Contacts



OKLAg



### Mounting Feature

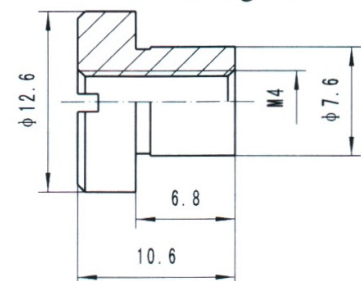
Connector housing could be fixed mounting, or float mounting by screw and nut for dimension deviation.

Description:	Mounting screw	Mounting screw
Part No.:	part.no.: 256265-01	part.no.: 256254-01
A	8 mm	5 mm

Mounting screw



Mounting nut



Part No.: 256267-01