



HIPO
Systems GmbH

07/2010

**DL2T plug
and
DL2Z receptacle
Data sheet**



This power connector designed for high current power distribution in pluggable power supply applications of up to 2000W or more.

Features:

#Currents up to 150A, 200A on a busbar

#Termination types: Crimp and internal thread

#Low insertion force

#Guide pin option

Applications:

#Low noise supplies

#Switch-mode power supplies

#System requires mounting

■ Electrical performance

- ▲ Contact Resistance $\leq 0.4\text{m}\Omega$
- ▲ Rated current: 150A / 200A
- ▲ Voltage rating: 1500VAC
- ▲ Insulation Resistance: $\geq 500\text{M}\Omega$; $\geq 20\text{M}\Omega$

■ Mechanical performance

- ▲ Mating cycles: 500(cycles)

■ Material and surface treatment

- ▲ Contact: Copper Alloy
- ▲ Surface: Silver Plating $5\sim 8\mu\text{m}$ or Gold Plating $0.3\sim 0.6\mu\text{m}$
- ▲ Housing: UL 94 V-0 glass-filled PET (T102G30)
Color: black

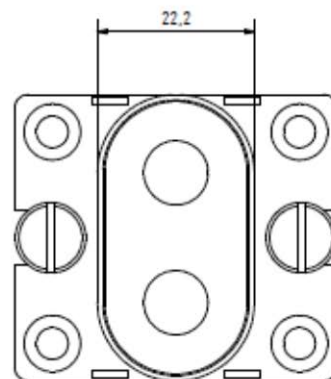
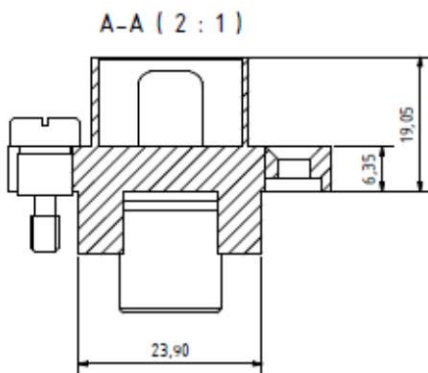
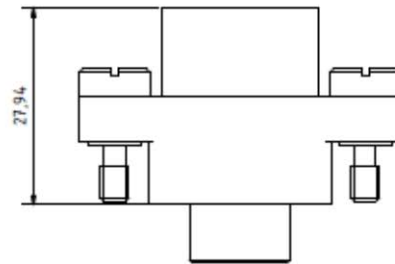
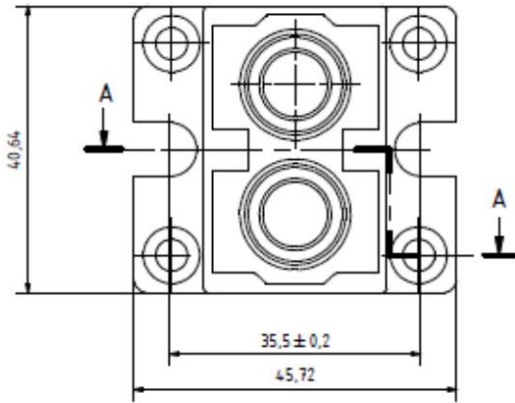
■ Operation environment

- ▲ Temperature Range: $-55^{\circ}\sim +125^{\circ}$
- ▲ Humidity: 40%, 95%
- ▲ Vibration: 98m/s^2 10~2000Hz
- ▲ Acceleration: 98 m/s^2

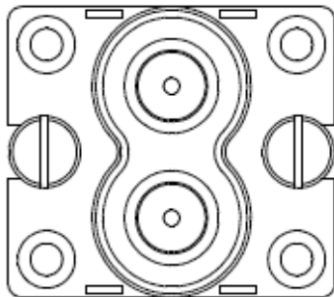
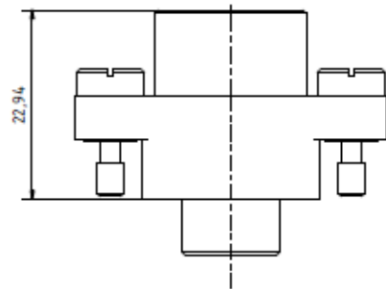
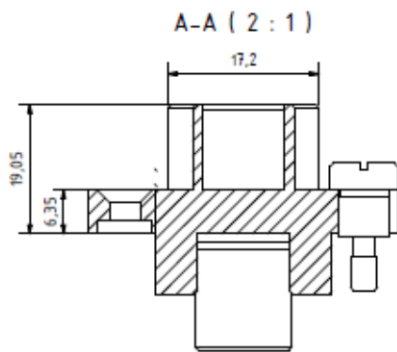
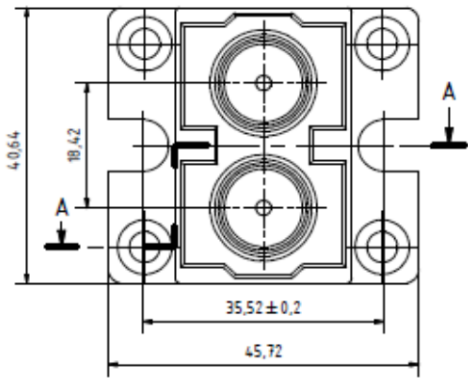
■ Terminations

- ▲ Crimp, internal-thread

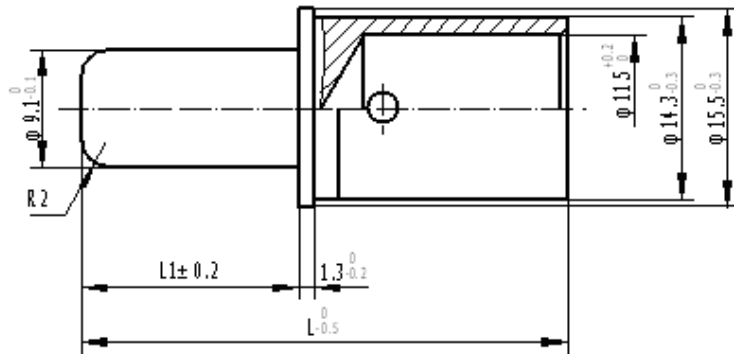
Dimensions DL2T plug



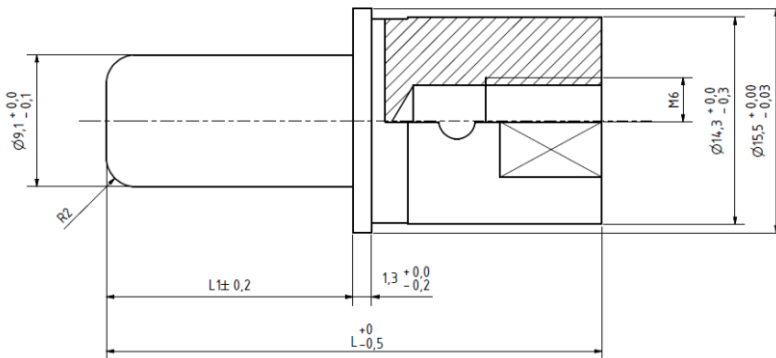
Dimensions DL2Z receptacle



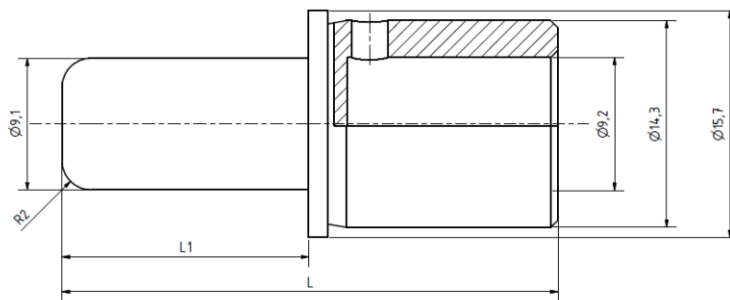
PIN Contacts



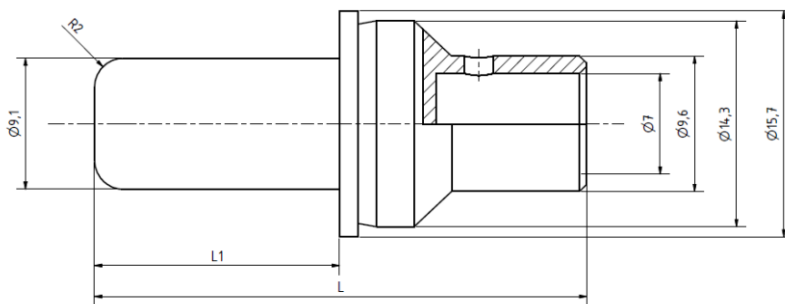
	L1	L
OZYAgL	17	34.2
OZYAgS	15.4	32.6



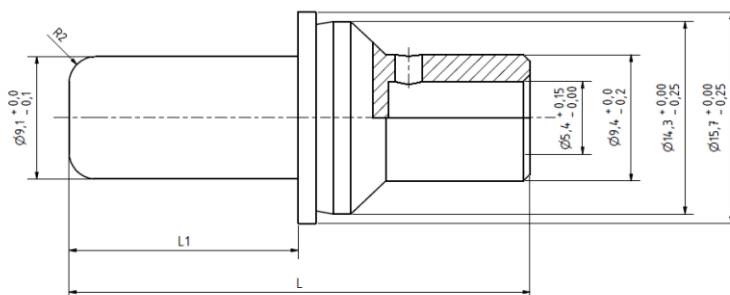
	L1	L
OZLAGL	17	34.2
OZLAGS	15.4	32.6



	L	L1
OZYAuL-01	34.2	17
OZYAuS-01	32.6	15.4
OZYAgL-01	34.2	17
OZYAgS-01	32.6	15.4

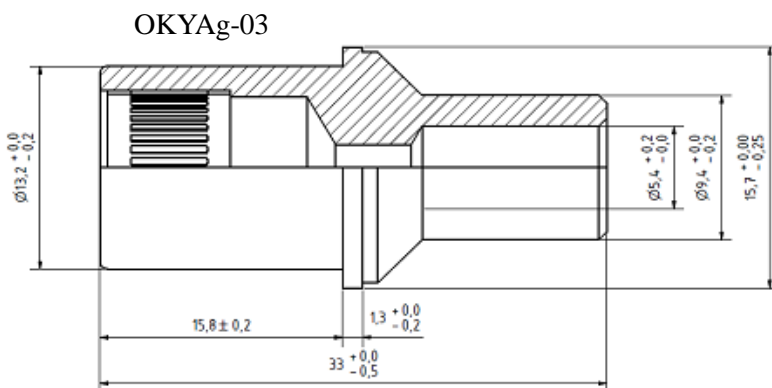
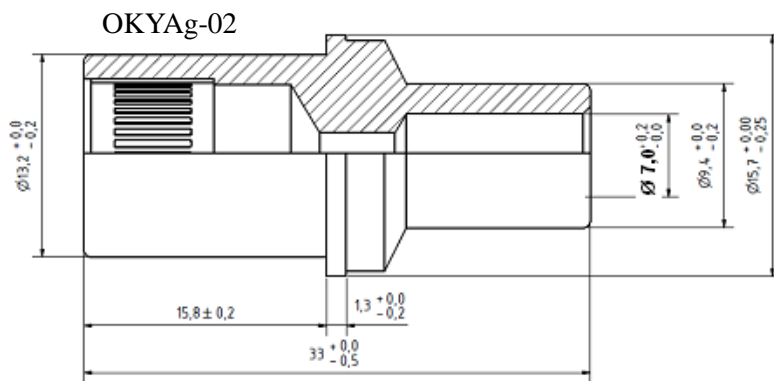
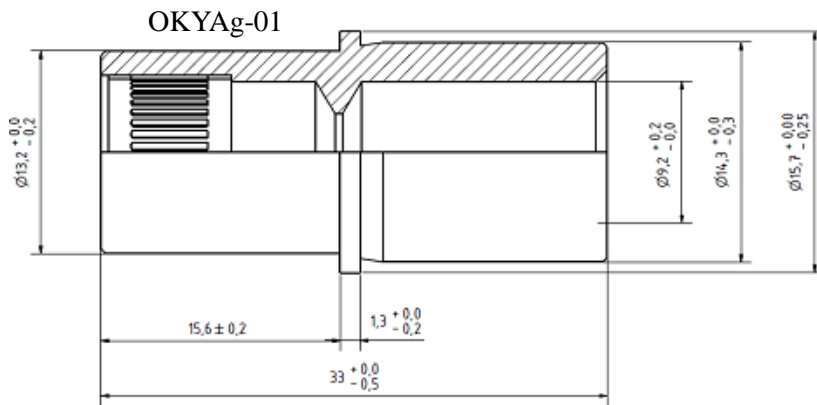
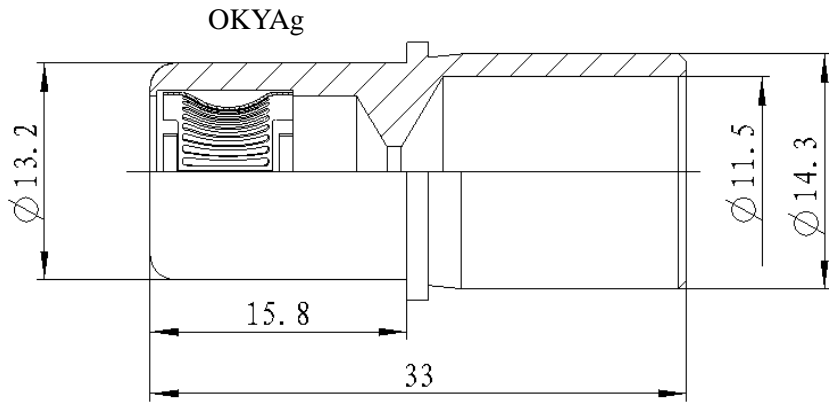


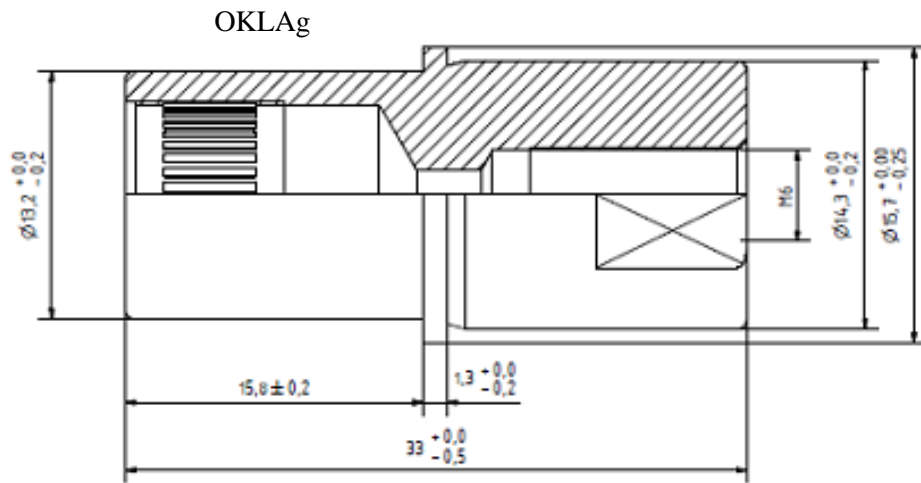
	L	L1
OZYAuL-02	34.2	17
OZYAuS-02	32.6	15.4
OZYAgL-02	34.2	17
OZYAgS-02	32.6	15.4



	L	L1
OZYAuL-03	34.2	17
OZYAuS-03	32.6	15.4
OZYAgL-03	34.2	17
OZYAgS-03	32.6	15.4

Socket Contacts

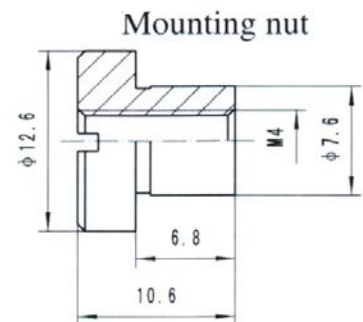
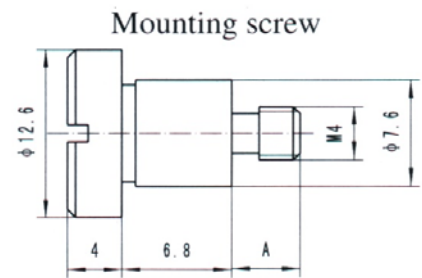




Mounting Feature

Connector housing could be fixed mounting, or float mounting by screw and nut for dimension deviation.

Description:	Mounting screw	Mounting screw
Part No.:	part.no.: 256265-01	part.no.: 256254-01
A	8 mm	5 mm



Part No.: 256267-01