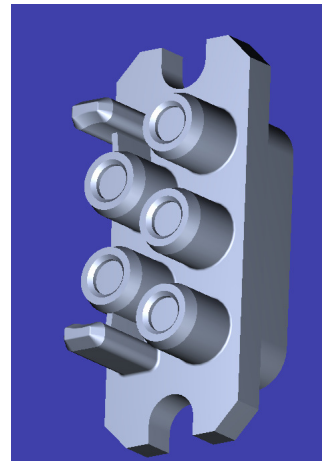
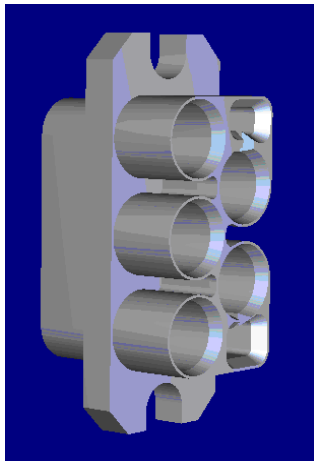




HIPO
Systems GmbH

05/2011

**DL5T-20 plug
and
DL5Z-20 receptacle
Data sheet**



**This power connector designed for high current
power distribution in pluggable power supply
applications of up to 2000W or more.**

Features:

#Currents up to 125A

#Termination types: crimp and screw

#Low insertion force

#Guide pin option

Applications:

#Low noise supplies

#Switch-mode power supplies

#System requires mounting

#Hot pluggable power supplies

■ Electrical performance

- ▲ Contact Resistance $\leq 0.5\text{m}\Omega$
- ▲ Rated current: 125A
- ▲ Voltage rating: 1500VAC
- ▲ Insulation Resistance: $\geq 500\text{M}\Omega$; $\geq 20\text{M}\Omega$

■ Mechanical performance

- ▲ Mating cycles: 500(cycles)

■ Material and surface treatment

- ▲ Contact : Copper Alloy
- ▲ Surface: Silver Plating 5 ~ 8 μm or Gold Plating 0.3 ~ 0.6 μm
- ▲ Housing: UL 94 V-0 glass-filled PET (T102G30)
Color: black

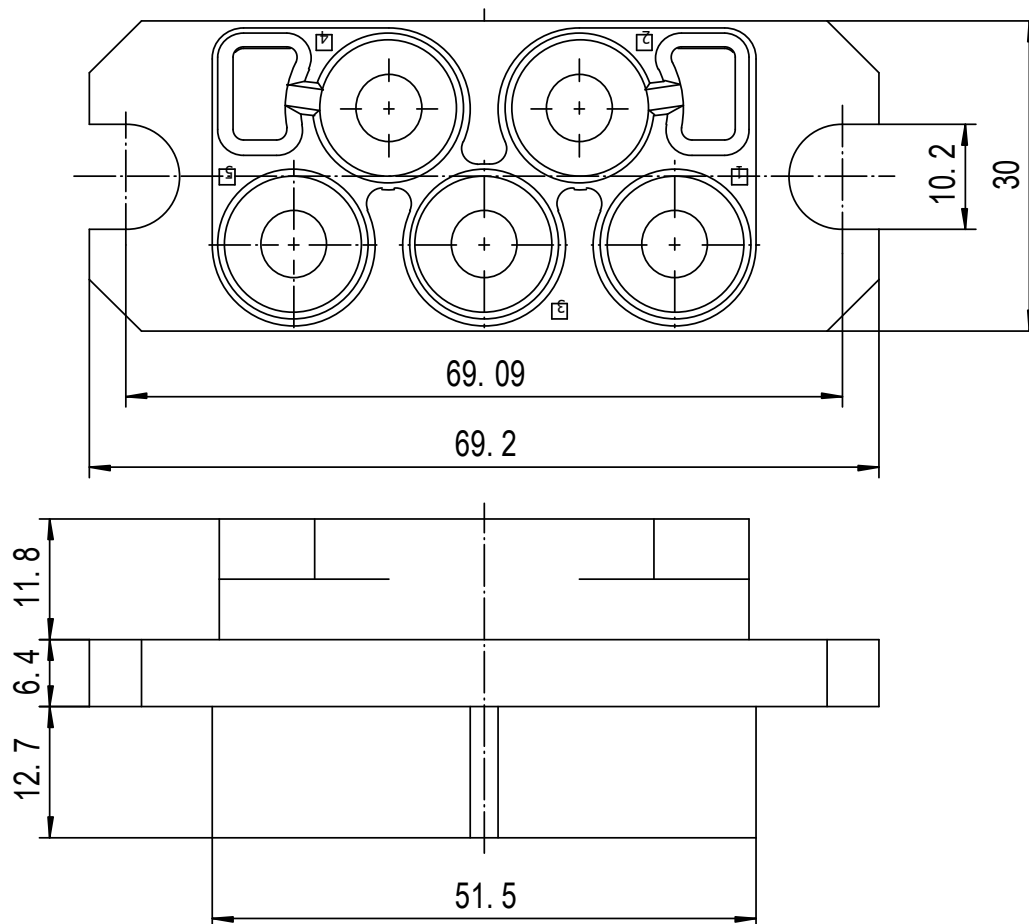
■ Operation environment

- ▲ Temperature Range : $-55^{\circ}\sim +125^{\circ}$
- ▲ Humidity 40% , 93%
- ▲ Vibration : 98m/s^2 10 ~ 2000Hz
- ▲ Acceleration : 98 m/s^2

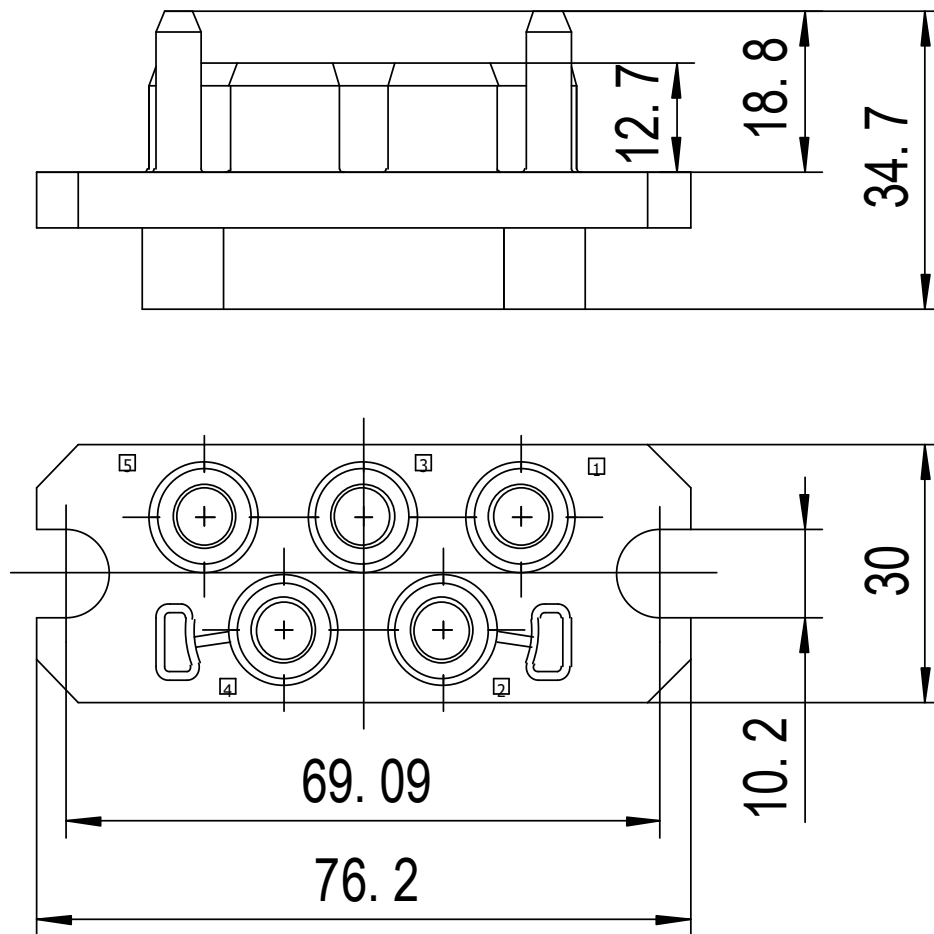
■ Terminations

- ▲ # 4 Crimp, screw

Dimensions DL5T-20 plug

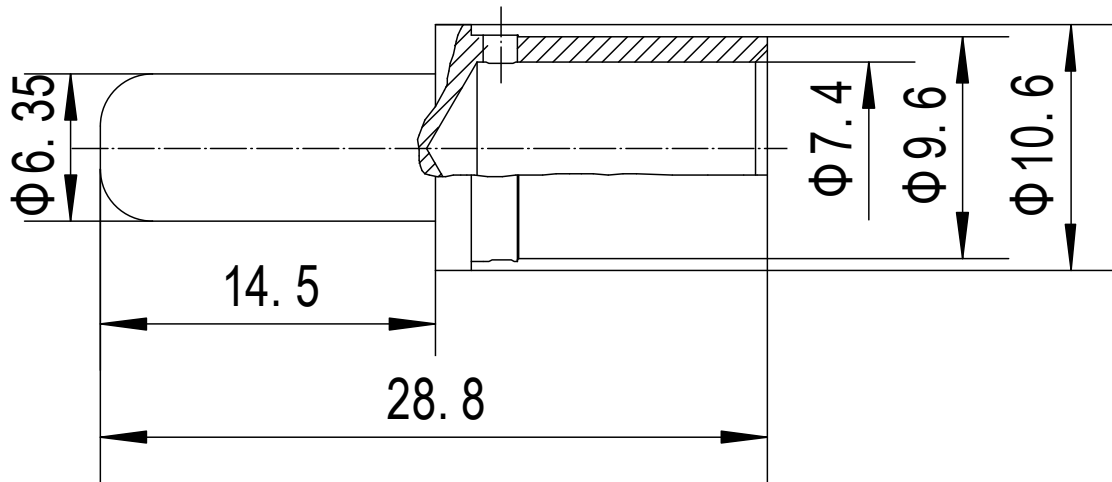


Dimensions DL5Z-20 receptacle



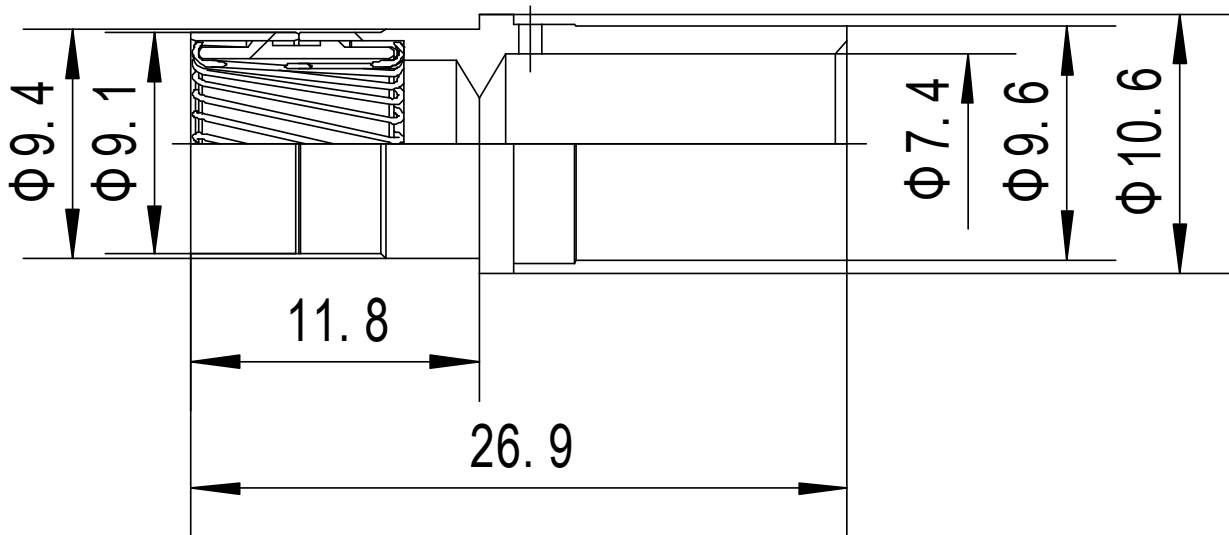
PIN Contacts

Part No.: 4ZYAu or 4ZYAg (crimp)



Socket Contacts

Part No.: 4KYAu or 4KYAg (crimp)

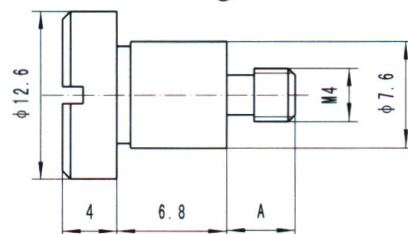


Mounting Feature

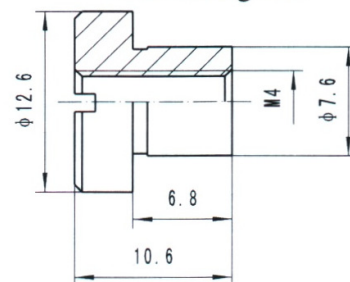
Connector housing could be fixed mounting, or float mounting by screw and nut for dimension deviation.

Description:	Mounting screw	Mounting screw
Part No.:	part.no.: 256265-01	part.no.: 256254-01
A	8 mm	5 mm

Mounting screw



Mounting nut



Part No.: 256267-01