



HIPO
Systems GmbH

08/2004

DL10T Plug and DL10Z Receptacle



This power connector designed for high current power distribution in pluggable power supply.

Features:

#Current 150A

#Termination types: PCB-Thread, solder cup

#Low insertion force

Applications:

#Low noise supplies

#Switch-mode power supplies

#Systems requiring mounting

■ Electrical performance

- ▲ Contact Resistance: 0 # $\leq 0.4\text{m}\Omega$; 20 # $\leq 5\text{m}\Omega$
- ▲ Current Rating: 0# : 150A; 20 # : 5A
- ▲ Voltage Rating: 0# : 250VA; 20# : 120VA
- ▲ Insulation Resistance $\geq 500\text{M}\Omega$ (Normal temperature); $\geq 20\text{M}\Omega$ (Damp heat)

■ Mechanical Characteristics

- ▲ Mechanical endurance : 500 cycles

■ Material and surface treatment

Contact: copper alloy

Surface: gold plating for 20# and 0# contact with $2\mu\text{m}$ nickel base, thickness

of gold plating: $0.3 \sim 0.6\mu\text{m}$; or silver plating for 20# and 0# contact

with $2\mu\text{m}$ nickel base, thickness of silver plating: $0.3 \sim 0.6\mu\text{m}$

Material Housing : glass fiber strengthened flameless PET (T102G30)

Color: black

■ Operating Environment

- ▲ Temperature Range : $-55^{\circ}\text{C} \sim 125^{\circ}\text{C}$
- ▲ Humidity: 98% at 40°C
- ▲ Vibration: 98m/s^2 / $10\text{Hz} \sim 2000\text{Hz}$, acceleration

▲ Terminal of contacts

20# PCB solder

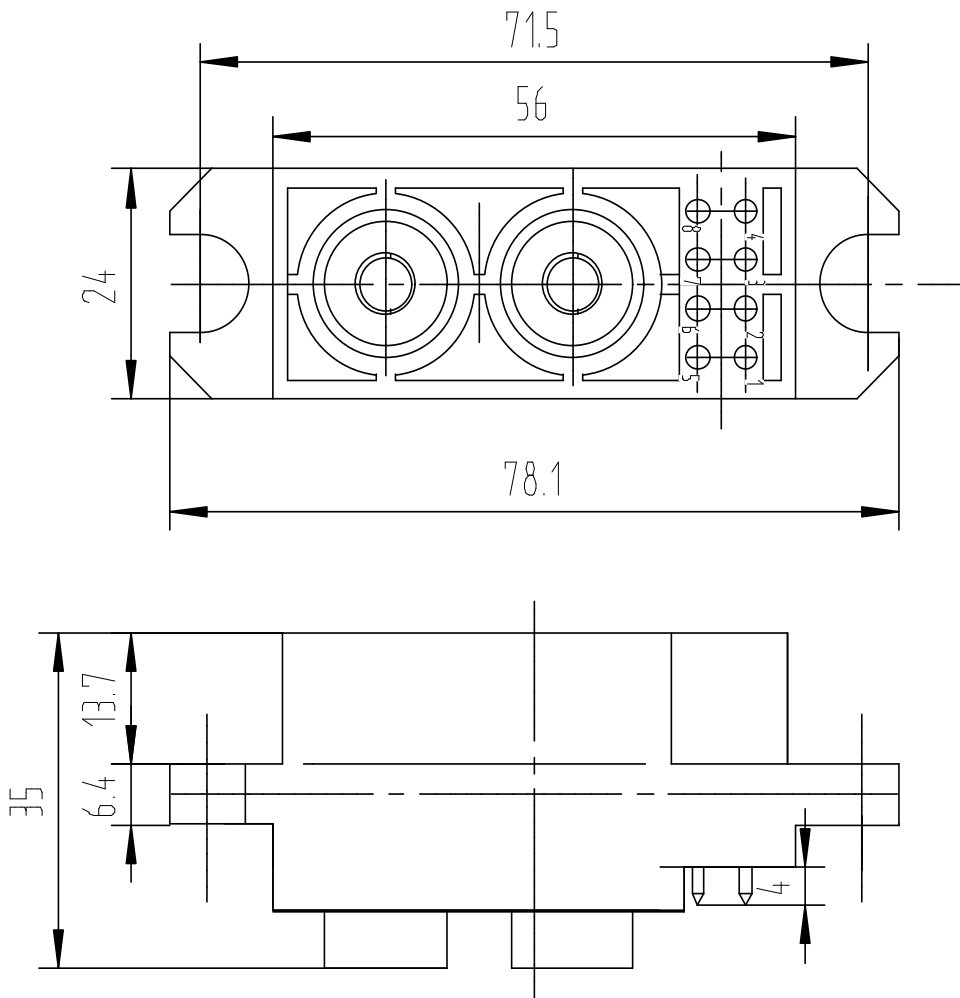
0# solder cup and thread

Variations

Part-No:	Size	Termination	Plating
DL10T Plug	20# 0#	PCB solder thread	silver silver
DL10T-01 Plug	20# 0#	solder cup solder cup	gold gold
DL10TA001 Plug	20# 0#	PCB solder thread	gold gold
DL10T-01A001 Plug	20# 0#	solder cup solder cup	silver silver
DL10Z Receptacle	20# 0#	PCB solder thread	silver silver
DL10Z-01 Receptacle	20# 0#	solder cup solder cup	gold gold
DL10ZA001 Receptacle	20# 0#	PCB solder thread	gold gold
DL10Z-01A001 Receptacle	20# 0#	solder cup solder cup	silver silver

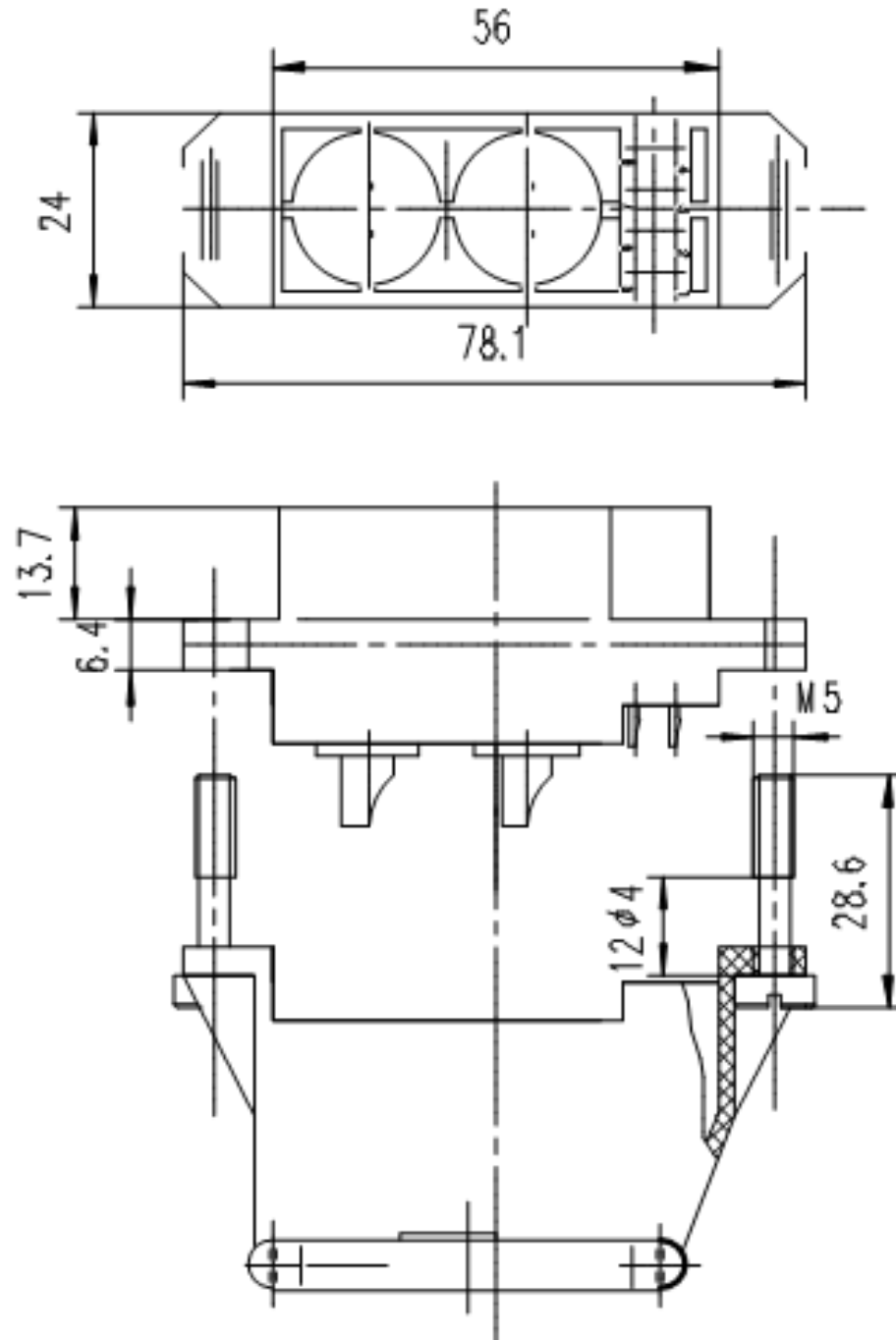
Dimension DL10T Plug

Contacts: 20#, PCB solder – 0# thread, both silver plated



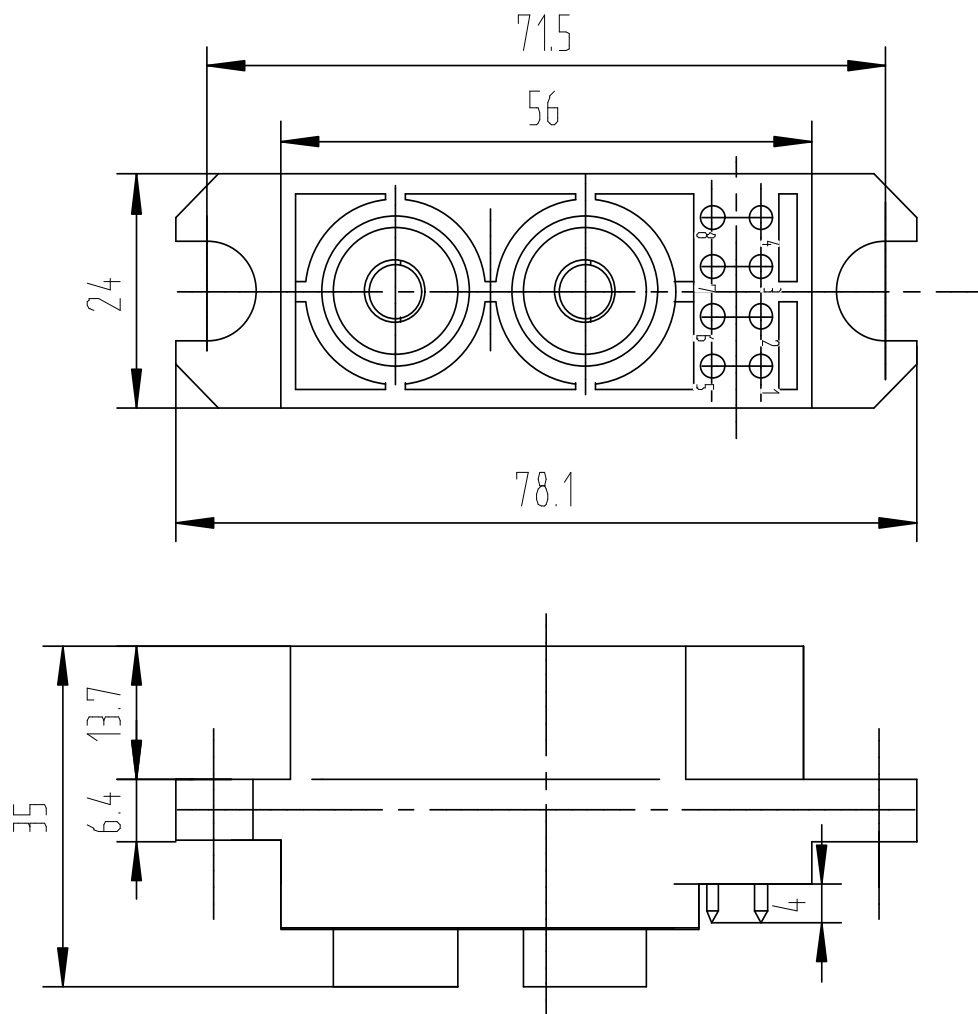
Dimension DL10T-01 Plug

Contacts: 20#, solder cup – 0# solder cup, both gold plated



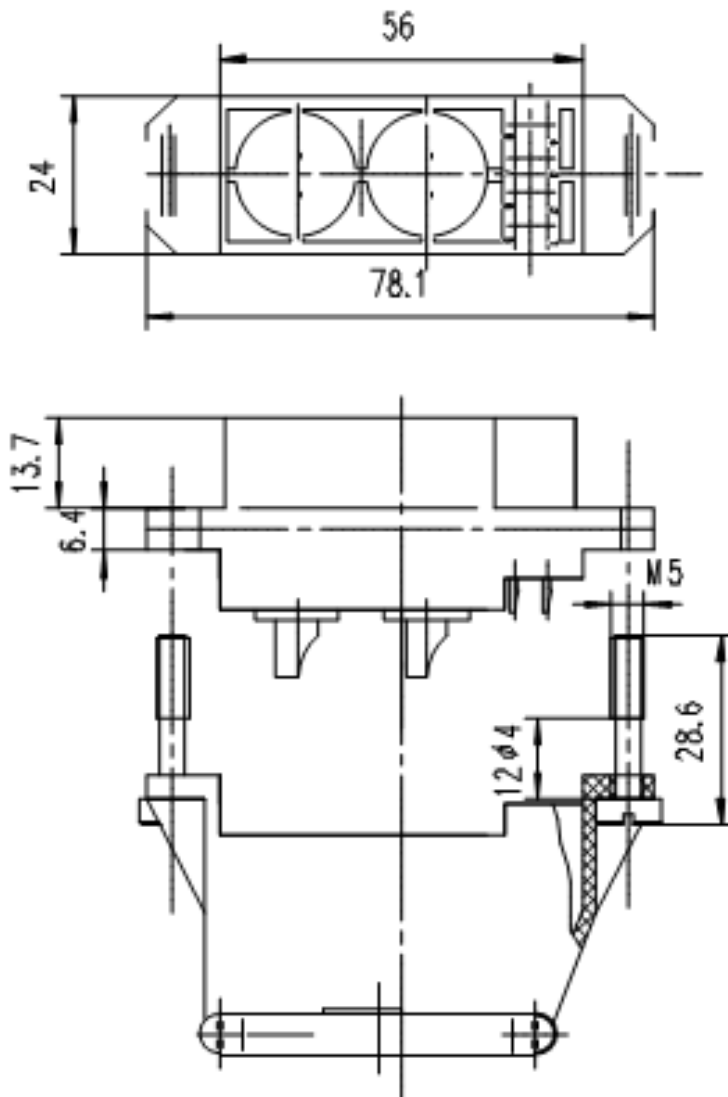
Dimension DL10TA001 Plug

Contacts: 20#, PCB solder – 0# thread, both gold plated



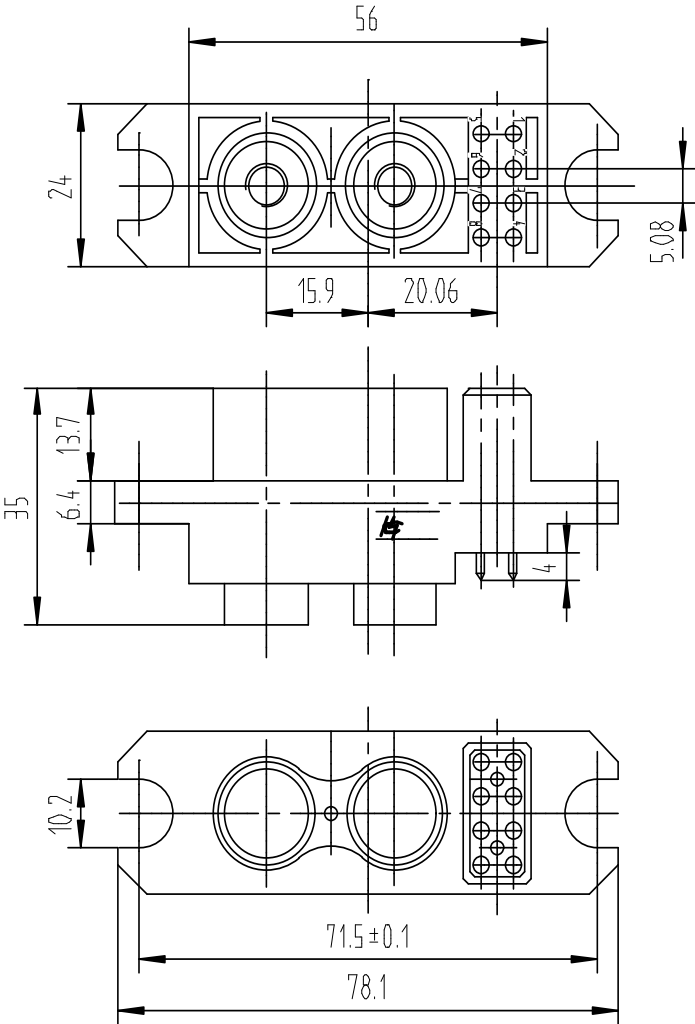
Dimension DL10T-01A001 Plug

Contacts: 20#, solder cup – 0# solder cup, both silver plated



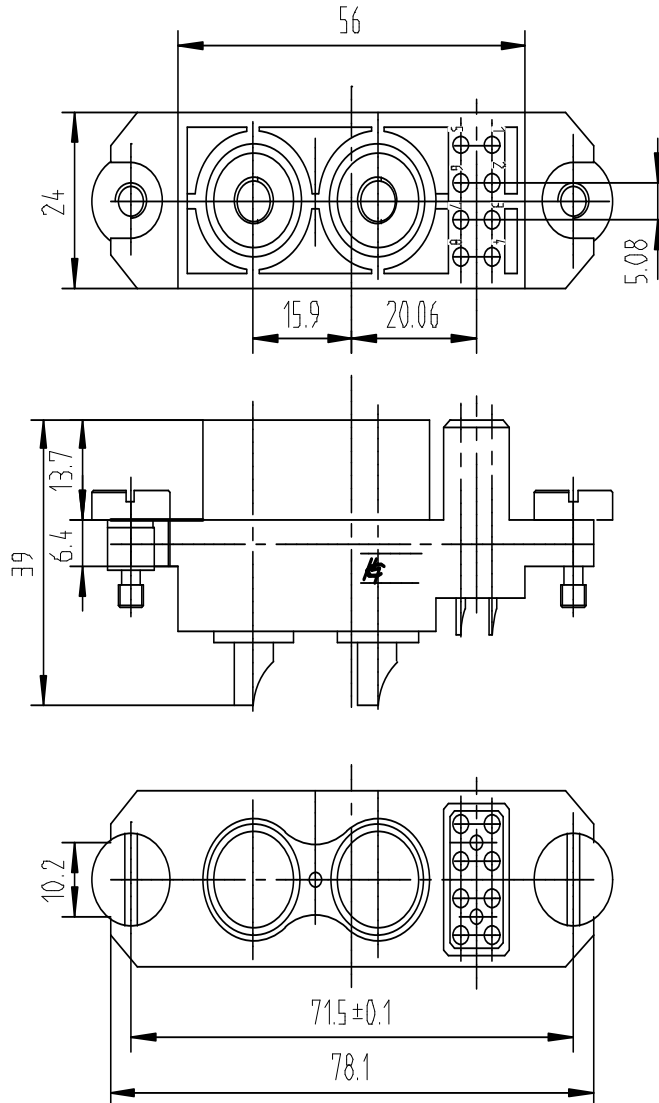
DL10Z Receptacle

Contacts: 20#, PCB solder – 0# thread, both silver plated



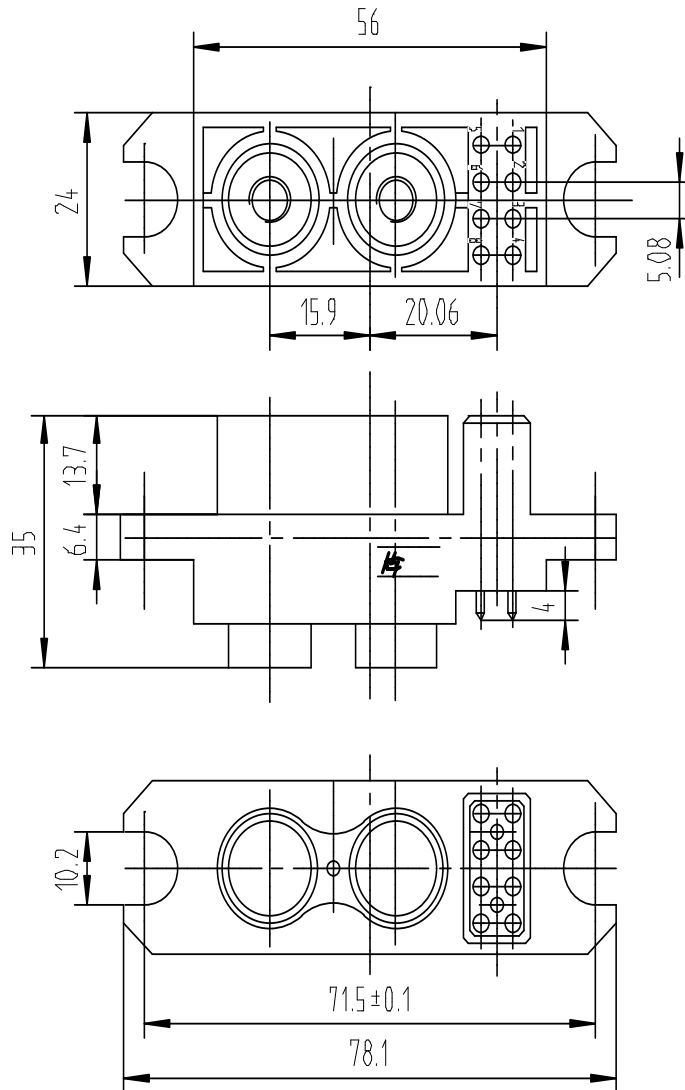
DL10Z-01 Receptacle

Contacts: 20#, solder cup – 0# solder cup, both gold plated



DL10ZA001 Receptacle

Contacts: 20#, PCB solder – 0# thread, both gold plated



DL10Z-01A001 Receptacle

Contacts: 20#, solder cup – 0# solder cup, both silver plated

