

HIPO D-Series Electrical Connector

0D25P/S - 035A



Features

- Current rating: up to 35A per contact #12
- Guiding structure to avoid mismating and floating mounting for blind mating
- Number of contacts: 25
- Contact sizes: 15x #20; 4x #16; 6x #12
- Contact length: standard, pre and post mate
- Termination: Crimp, Solder, PCB
- Plating: silver or gold

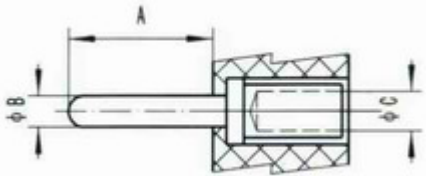
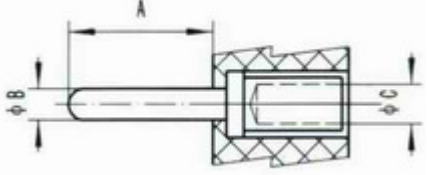
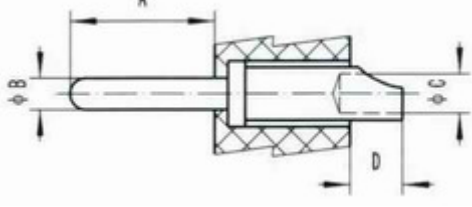
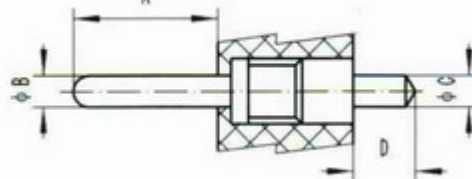
Contact information

insert arrangement	number	size	current rating	plating	termination	Fixed/Removeable
1-4	4	16#	15A	silver or gold	Crimp	removeable
					Solder	removeable
					PCB	fixed
5-19	15	20#	5A	silver or gold	Crimp	removeable
					Solder	removeable
					PCB	fixed
20-25	6	12#	35A	silver or gold	Crimp	removeable
					Solder	removeable
					PCB	fixed

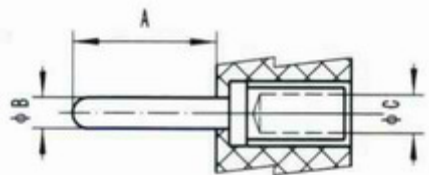
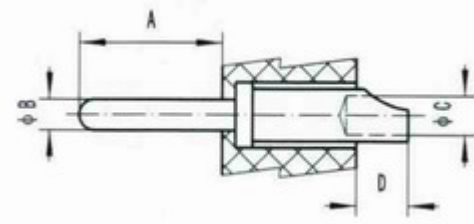
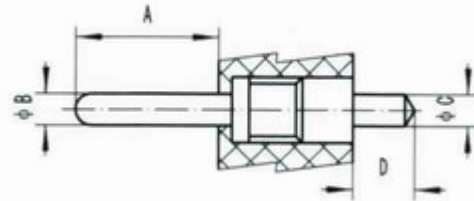
Pin contacts (0D25P + 0D25P-A)

Other platings upon request.

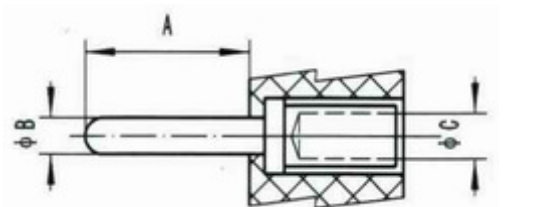
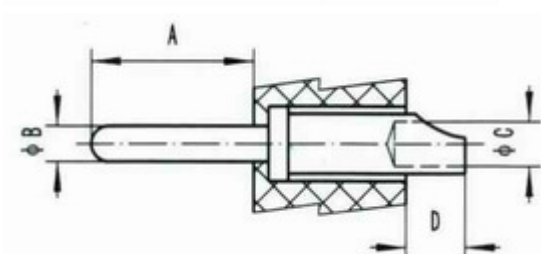
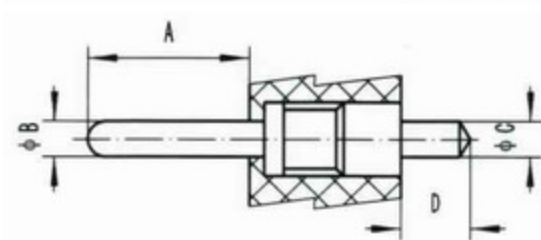
12# Pin

Type	Figure	termination	Dimension A	Dimension B	Dimension C	Dimension D	plating
0P12CAGPR-2,5		Crimp	11.7	2.38	2.5	--	Ag
0P12CAGS-2,5			11.0				
0P12CAGPM-2,5			10.0				
0P12CAGPR-3,2		Crimp	11.7	2.38	3.2	--	Ag
0P12CAGS-3,2			11.0				
0P12CAGPM-3,2			10.0				
0P12SAGPR		Solder	11.7	2.38	2.8	4.3	Ag
0P12SAGS			11.0				
0P12SAGPM			10.0				
0P12BAGPR		PCB	11.7	2.38	2.38	5.3	Ag
0P12BAGS			11.0				
0P12BAGPM			10.0				

16# Pin

Type	Figure	termination	Dimension A	Dimension B	Dimension C	Dimension D	plating
0P16CAGPR		Crimp	12.2	1.57	3.2	--	Ag
0P16CAGS			8.4				
0P16CAGPM			7.4				
0P16SAGPR		Solder	12.2	1.57	2.1	4.4	Ag
0P16SAGS			8.4				
0P16SAGPM			7.4				
0P16BAGPR		PCB	12.2	1.57	1.6	4.3	Ag
0P16BAGS			8.4				
0P16BAGPM			7.4				

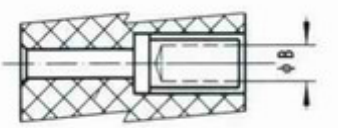
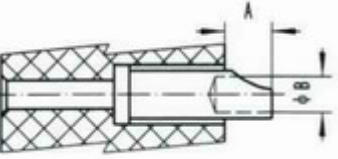
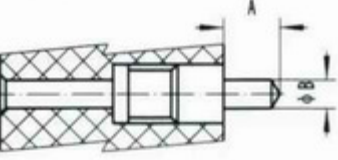
20# Pin

Type	Figure	termination	Dimension A	Dimension B	Dimension C	Dimension D	plating
0P20CAUPR 0P20CAUS		Crimp	12.0	1.0	1.3	--	Au
0P20CAUPM			8.1				
			6.9				
0P20SAUPR 0P20SAUS		Solder	12.0	1.0	1.3	4.9	Au
0P20SAUPM			8.1				
			6.9				
0P20BAUPR 0P20BAUS		PCB	12.0	1.0	1	4.7	Au
0P20BAUPM			8.1				
			6.9				

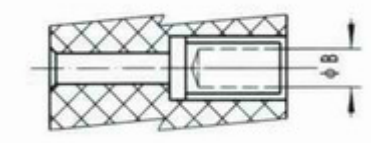
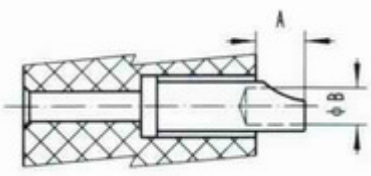
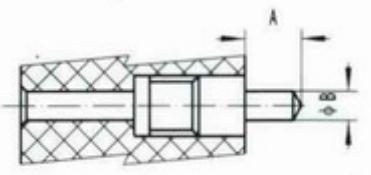
Socket contacts (0D25S + 0D25S-A)

Other platings upon request.

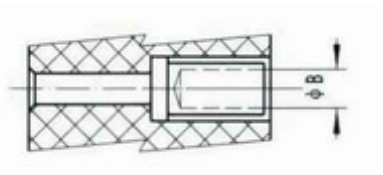
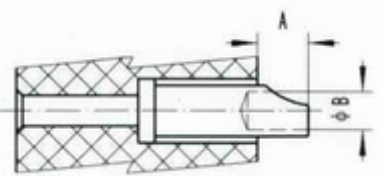
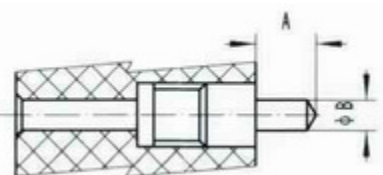
12# Socket

Type	Figure	termination	Dimension A	Dimension B	plating
0S12CAG-2,5				2.5	
0S12CAG-3,2		Crimp	--	3.2	Ag
0S12SAG		Solder	4.6	2.8	Ag
0S12BAG		PCB	5.3	2.38	Ag

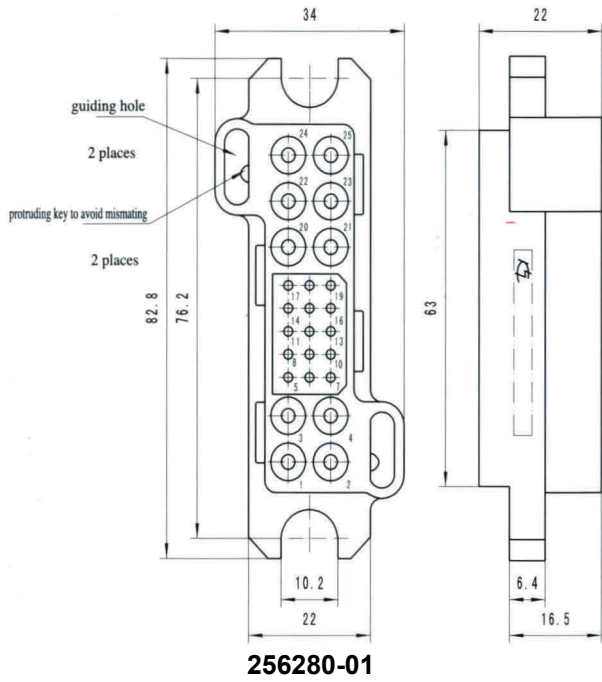
16# Socket

Type	Figure	termination	Dimension A	Dimension B	plating
0S16CAG-01		Crimp	--	3.2	Ag
0S16SAG-01		Solder	4.1	2.2	Ag
0S16BAG-01		PCB	4.1	1.55	Ag

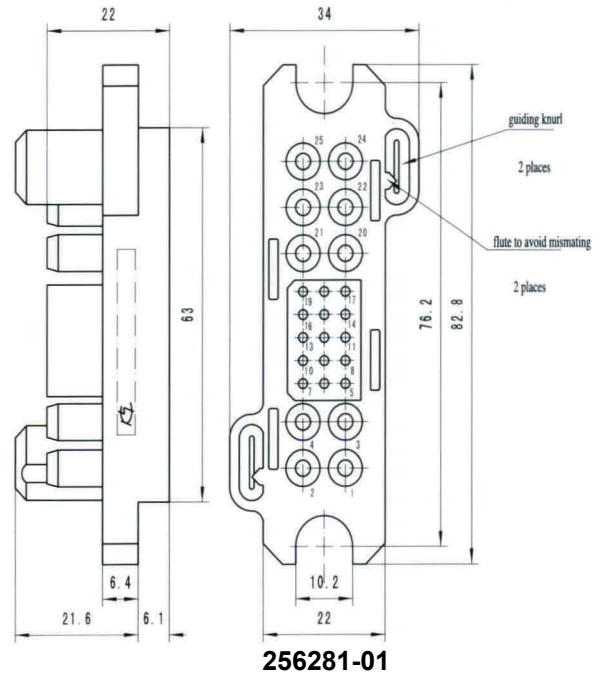
20# Socket

Type	Figure	termination	Dimension A	Dimension B	plating
0S20CAU		Crimp	--	1.3	Au
0S20SAU		Solder	4.6	1.3	Au
0S20BAU		PCB	4.1	1.01	Au

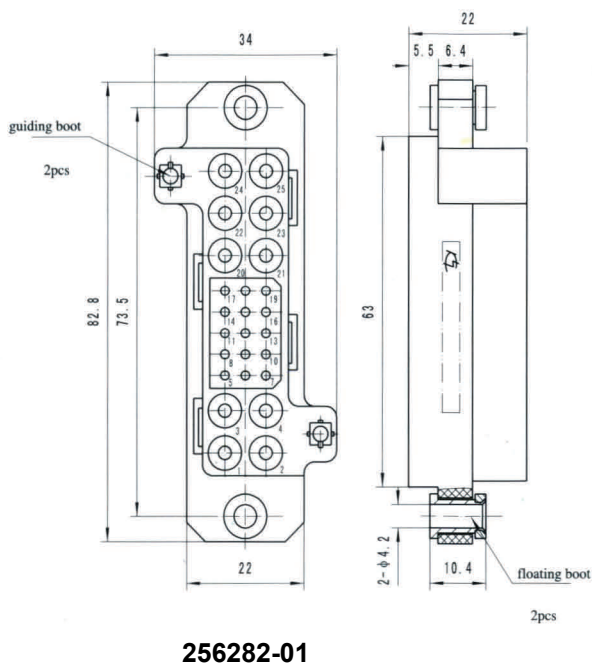
OD25P
Plug Housing



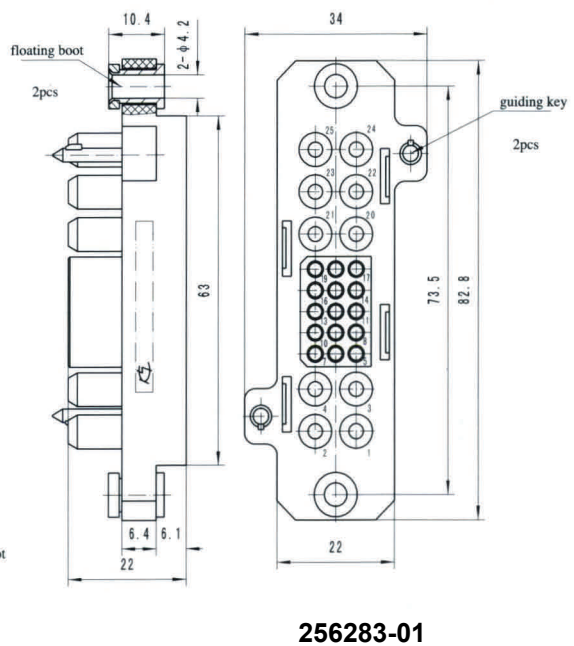
OD25S
Receptacle Housing



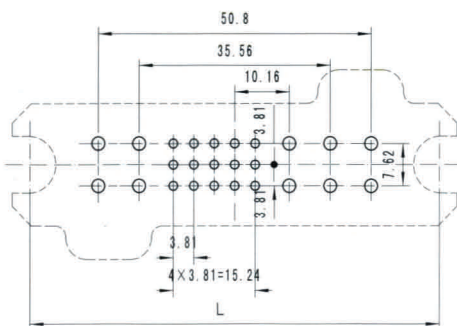
OD25P-A



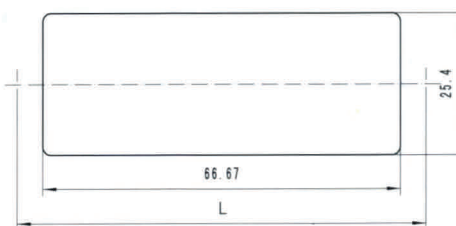
OD25S-A



insert gap



Recommend Mounting Dimension



Total length: D25P and D25S L=76,2mm

D25P-A and D25S-A L=73,5mm